

HIDROSIB

S.A.



193rd Stefan Cel Mare str., 2400 Sibiu -Romania

20, 40, 60l/min	Direct operated pressure control valves NB 8,10	FC - 8
315 bar		

GENERALITIES

NB 8,10 direct operated control valves, for subplate mounting, normally closed.

NB 8,10 normally closed direct operated pressure control valves provide upstream pressure control. When not working, they close the connection between inlet and outlet ports.

For NB 8 and 10, manual adjusting, by micrometer scaled rotary knob.

PERFORMANCE DATA

GENERAL

Fixing: face mounting

Mounting position: unrestricted

Fluid flow direction: see table 1.

Temperature range of ambient medium : -20°C.....+50°C

HYDRAULIC

Nominal pressure : 315 bar

Pressure adjustment range: NB 8, 10

1550 bar

50 ... 160 bar

50 ... 300 bar

Maximal flow: NB 8 : 40 l/min; NB 10 : 60 l/min

Fluid :

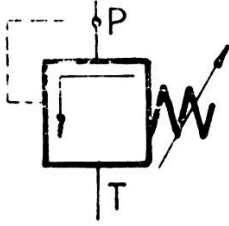
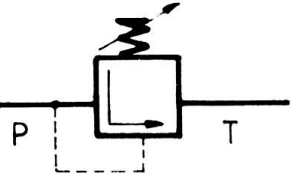
Fluid type: additived mineral oil.

Viscosity range : 10 ...500cSt

Temperature range : -20°C.....+80°C

Filtration: 25 - 30 μm

VALVE FUNCTION

Code	Symbol	Designation	Port designation	Flow direction
00		Normally closed direct operated pressure control valve - relieving action (SDP 8)	P-inlet T-outlet	P->T
00		Direct operated pressure control valve, for subplate mounting - relieving action (SD1P 10)	P-inlet T-outlet	P->T

CHARACTERISTIC CURVES

Normally closed direct operated pressure control valves (NB 8)
(Fig. 1)

Direct operated pressure control valve, for subplate mounting (NB 10)
(Fig. 2 si 3)

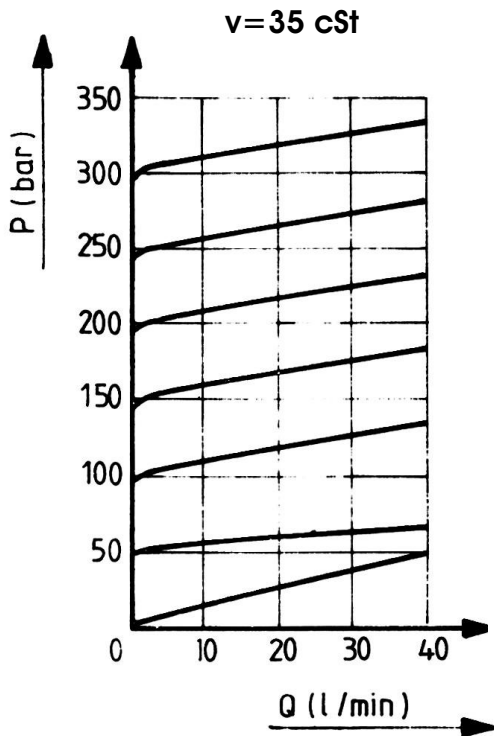


Fig. 1

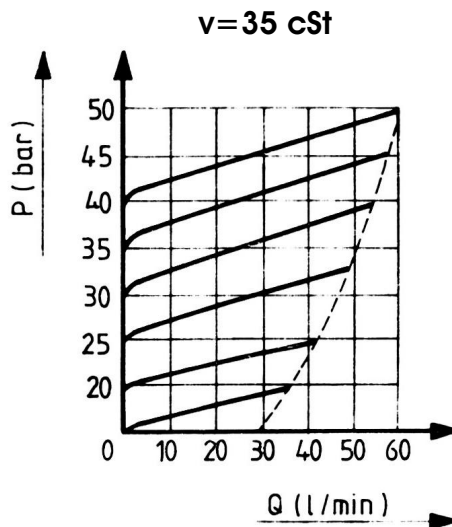


Fig. 2

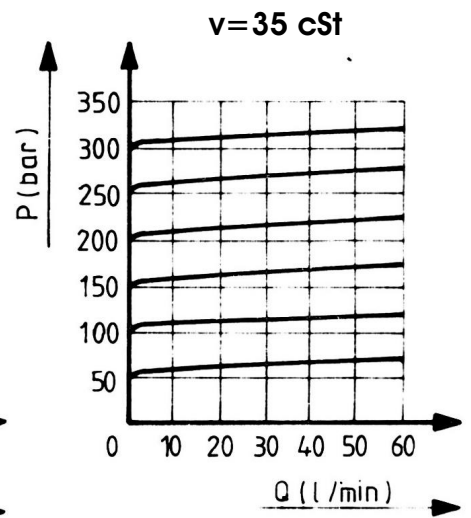
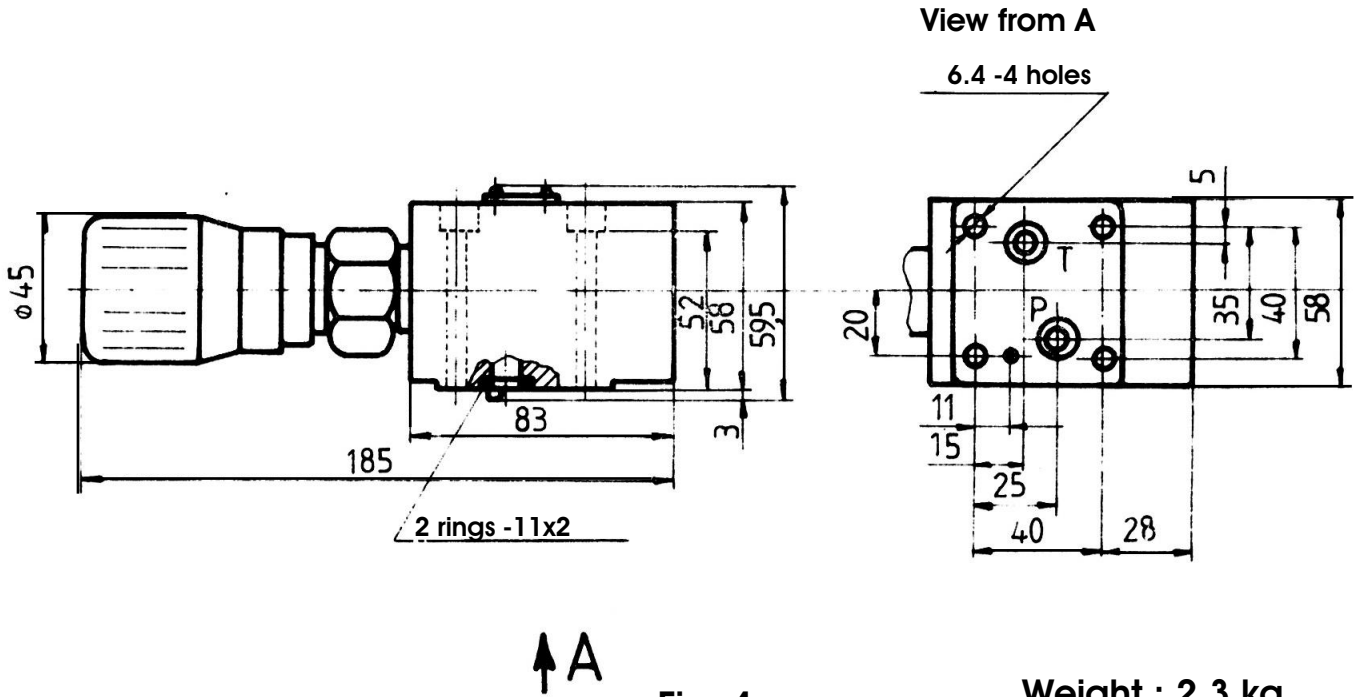


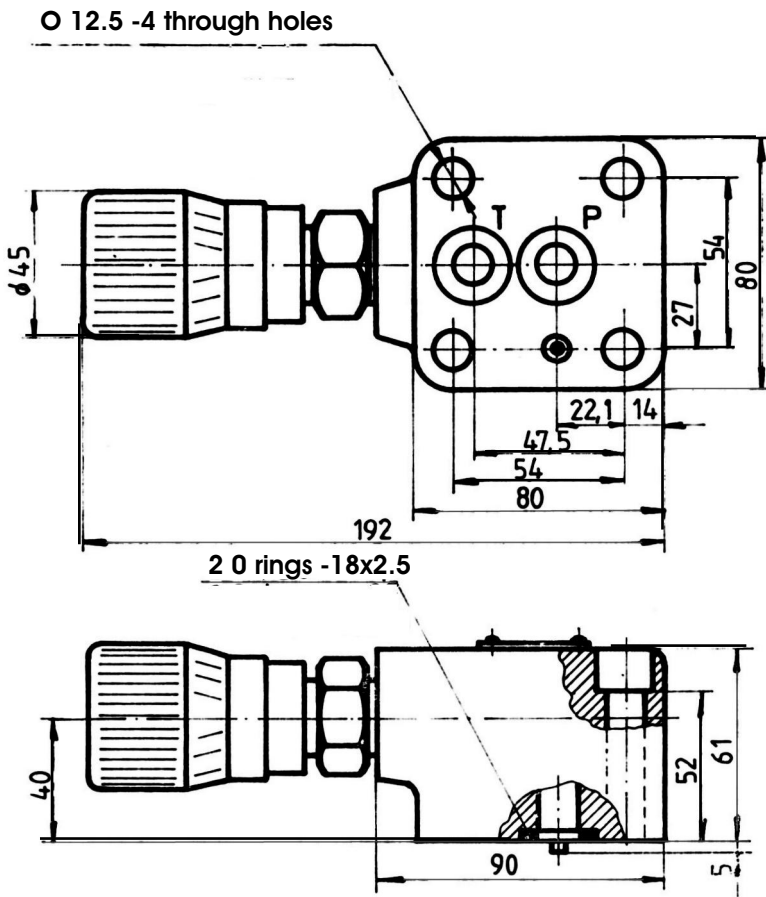
Fig. 3

DIMENSIONS

Normally closed direct operated pressure control valves, for subplate mounting NB 8



Direct operated pressurecontrol valve, for subplate mounting - NB 10



SUBPLATES

Normally closed direct operated pressure control valves, for subplate mounting NB 8

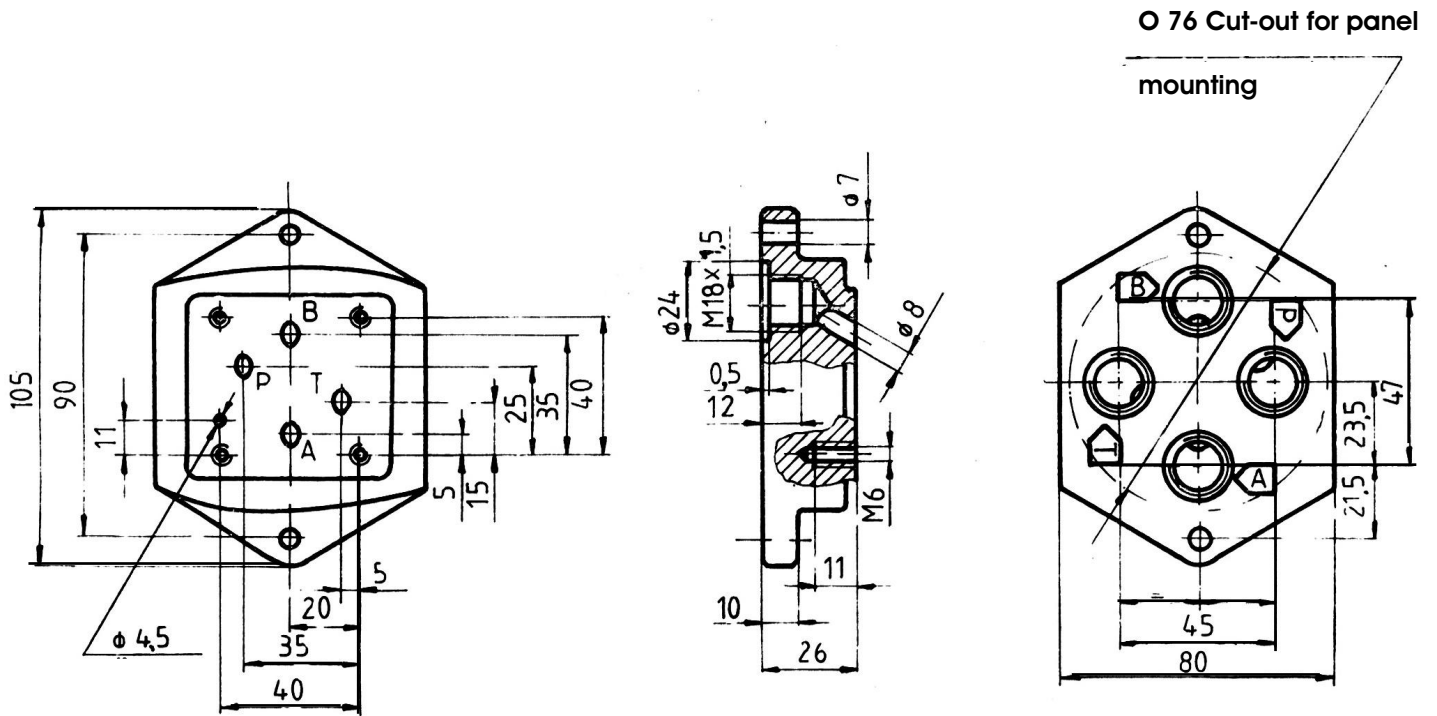


Fig. 6

Weight : 0,700 kg

Normally closed direct operated pressure control valves, for subplate mounting Nb 10

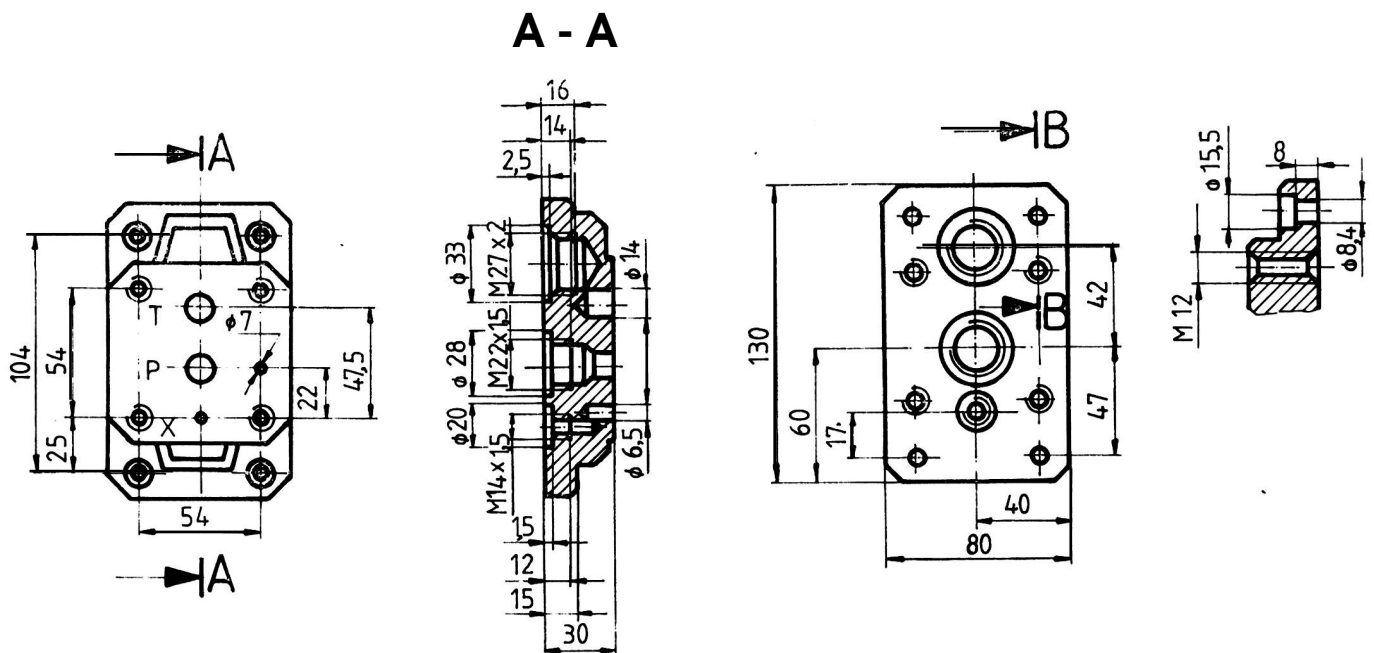


Fig. 7

Weight : 1,5 kg

NB	Model code	Fixing screws	Tightening torque
8	PSB 8-1	M 6x60 SR ISO 4762:1993, gr.10.9	1,1 ^{+0.3} daNm
10	PBS 10-2	M12x70 SR ISO 4762:1993, gr.10.9	9 ⁺³ daNm

MOUNTING DATA

Valves may be mounted on their own subplates or on other plates and manifolds provided with hydraulic circuits.

In case valve is mounted on other plate than own subplate, one must observe the following:

- connection diagram, conforming to fig.6, 7
- connecting and mounting figures' tolerance: $\pm 0,1$ mm
- tolerance for operating ports' maximal diameters: $\pm 0,25$ mm
- tolerance for mounting surface flatness: 0.01/100 mm
- mounting surface roughness: Ra=1,6 μ m

MODEL CODE

1 2 3-4 5 6-7/*

*For climatic protected model, add at the end of model code /T1 or T2

1. S - Pressure control valve
2. Face mounting"
 - P - for NB 8 , 1P for NB 10
3. 8;10 - Nominal Bore
4. OO - Valve function symbol
5. Adjusting range:
 - 4-15...50 bar
 - 9-50...160 bar
 - 11-50...300 bar
6. Adjusting device:
 - G - micrometer scaled rotary knob
- 7.O - Series