

# HIDROSIB

S.A.



193<sup>rd</sup> Stefan Cel Mare str., 2400 Sibiu -Romania

80 l/min

315 bar

# Pressure control valves Ng8

FC - 6

## GENERALITIES

Directly controlled pressure relief valves.

Local han-setting by hand-wheel, micro-meter scaled rotary knob or hexagonal screw with locknut.

Permanent setting, at a pressure preset value.

Pipe mounting or manifold insert.

## PERFORMANCE DATA

### GENERAL

Mounting position: unrestricted

Flow direction the pressure is set for: conforms to the arrow on valve's body

Temperature range of ambient medium : -15°C.....+60°C

### HIDRAULIC

Nominal pressure : 300 bar

Return-line pressure (port T) : max 80 bar

Fluid :

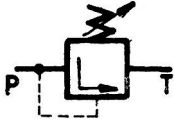
Fluid type: additived mineral oil.

Viscosity range : 10 ...400mm<sup>2</sup>/s

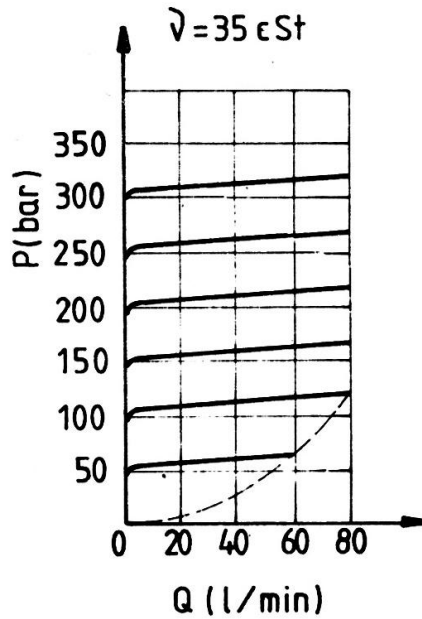
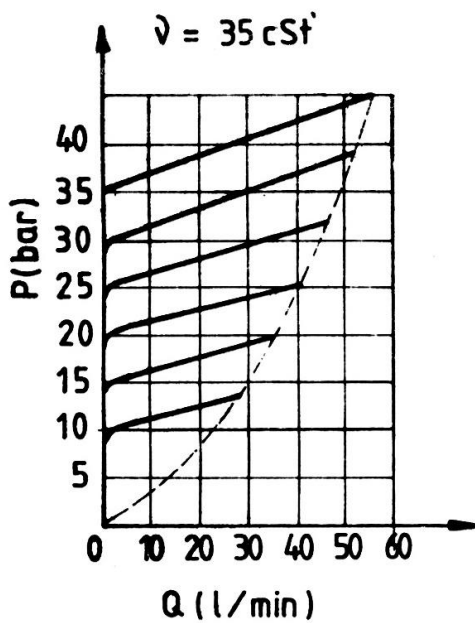
Temperature range : -25°C.....+80°C

Filtration: < 25 μm

## VALVE FUNCTION

Code	Symbol	Designation	Port designation
T0		Pressure relief valves	P-inlet T-iesire

## CHARACTERISTIC CURVES

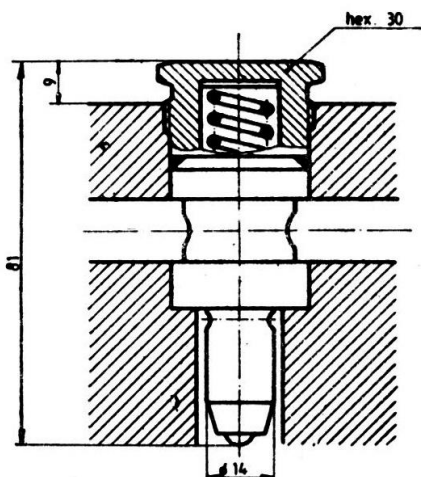


A-Minimal pressure  
setting vs. flow

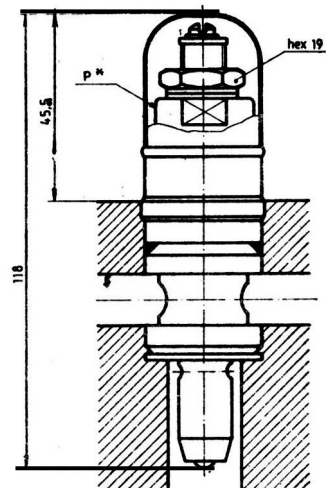
Fig.1

## DIMENSIONS

### Maniflod insert valves



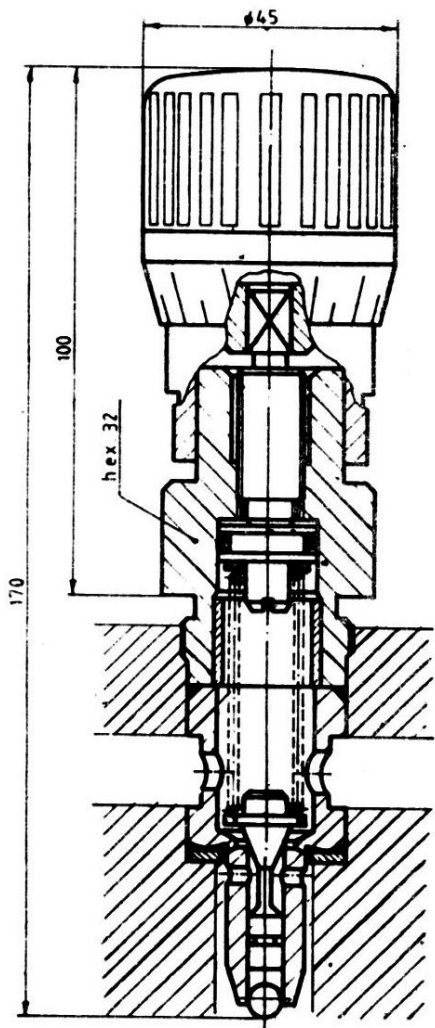
Weight :0,2kg



Weight:  
0,260kg

Fig.2 Permanent setting valves

Fig.3 Hexagonal screw adjustable valves (s)



Weight 0,5kg

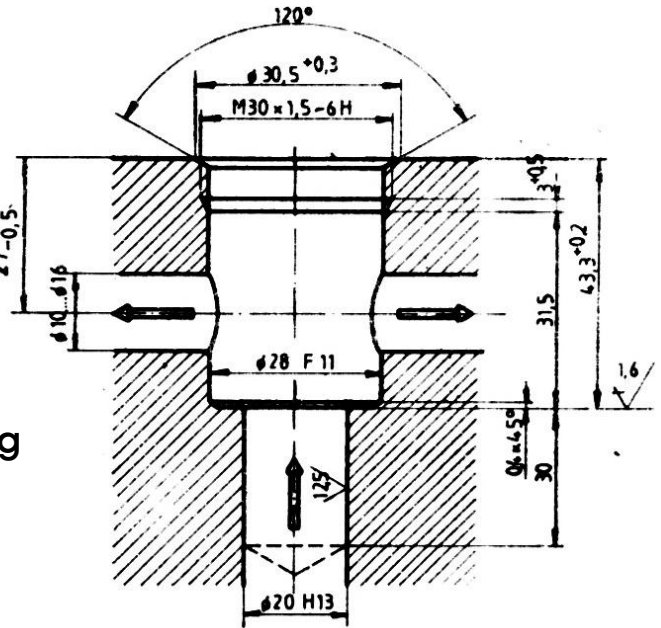
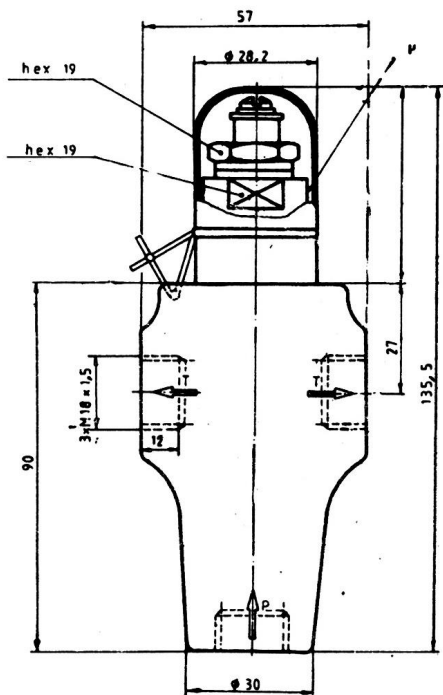


Fig.5 Manifold insert mounting

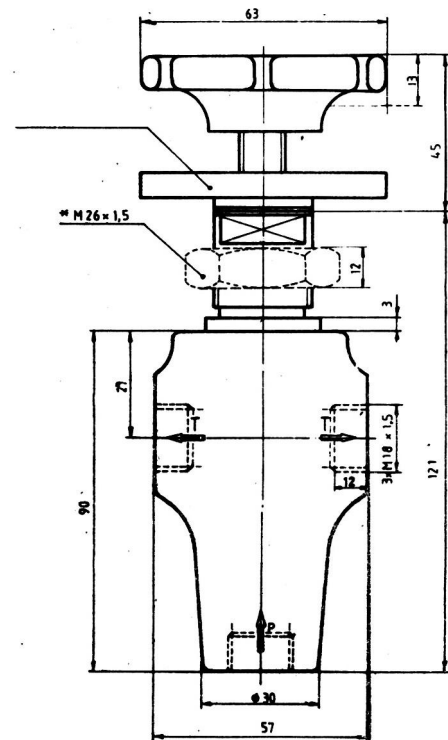
Fig.4 Micrometer scaled rotary knob adjustable valve (G)

Pipe mounting valves



Weight :0,890kg

Fig.6.Hexagonal screw adjustable valves (S)



Weight: 0,930kg

Fig.7.Handwheel adjustable valves (M)

## MOUNTING DATA

Manifold insert valves mounted in hydraulic blocks, placed according to fig.5.  
Tightening torque of valve's threaded fixing part:  $5 + {}^{0.3}$  daNm  
Pipe mounting valves connected, by fittings, on hydraulic installation lines, to one or both port (S) T.  
Fitting's tightening torque:  $5 + {}^{0.1}$  daNm

## MODEL CODE

1. SD - Direct control valve
2. K - Mounting type
3. 8 - Nominal bore
4. OO - Pressure relief valve
5. Setting area

- permanent setting valves:

F2 - 15 bar  
F3 - 25 bar  
F5 - 50 bar  
F8 - 80 bar  
F10 - 100 bar  
F12 - 120 bar  
F15 - 150 bar  
F18 - 180 bar  
F20 - 200 bar  
F22 - 220 bar  
F25 - 250 bar  
F28 - 280 bar  
F30 - 300 bar

- adjustable valves:

4-15-50 bar  
5-15-80 bar  
9-50-160 bar  
11-50-300 bar

6. Setting type:

- permanent setting valves - without mark;  
- adjustable valves:

S - with screw  
G - with micrometer scaled rotary knob  
M - with hand-wheel

7. O - Series:

SDK8-00 F2-0  
9S-0